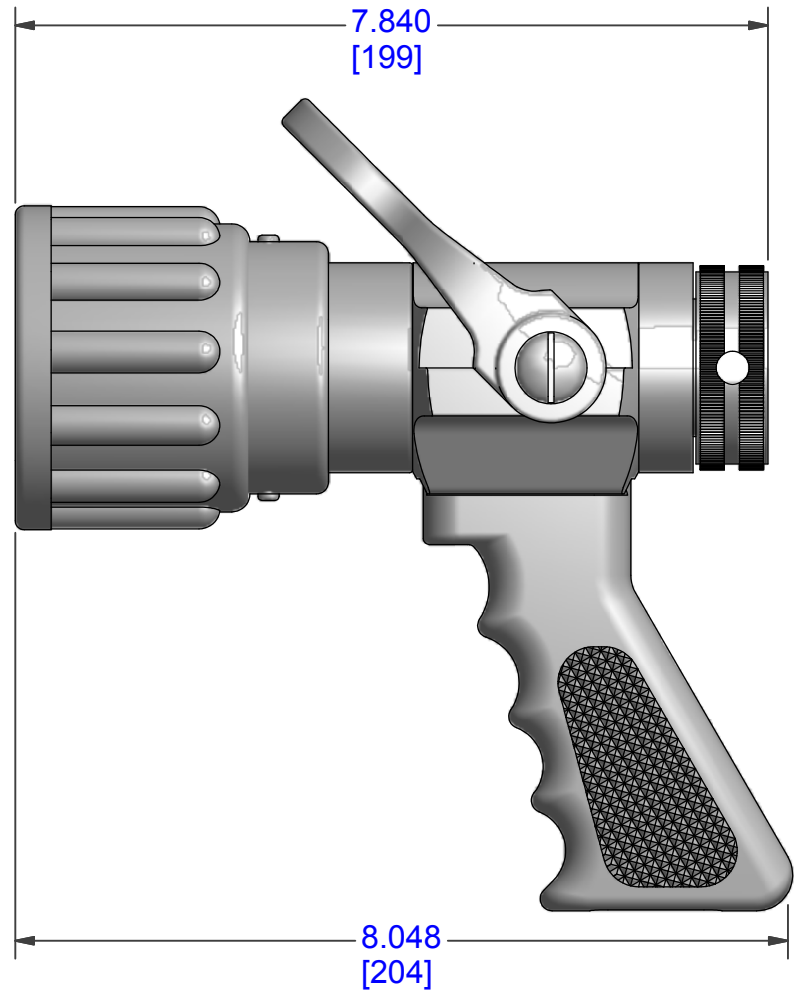
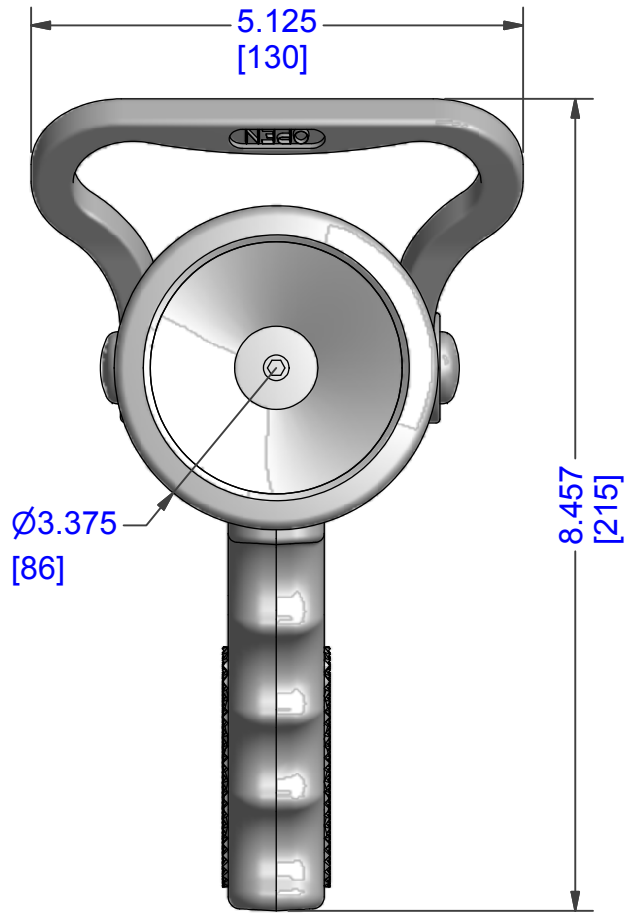



B

B

A

A



DIMENSIONS ARE IN INCHES			SIZE	REV
TOLERANCES: X.X = ± 0.2 X.XX = ± 0.01 X.XXX = ± 0.005 X.XXXX = ± 0.0005 ANGLES = ± 2.0°			A	
		PART NUMBER		
		4000071DISP		
		TITLE		
		Elkhart Nozzle		
FINISH		MATERIAL		
		Purchased		
DO NOT SCALE DRAWING		DRAWN	DATE	SHEET
SCALE		jang	7/22/2013	1 OF 1

2

1

2

1