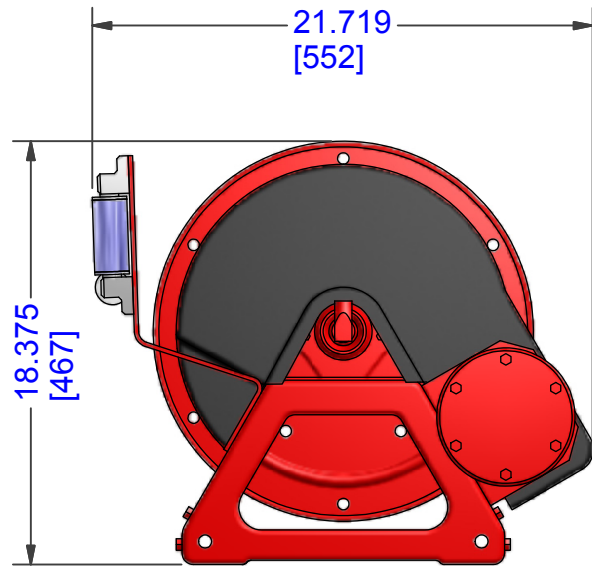


39.500  
[1003]



DIMENSIONS ARE IN INCHES

TOLERANCES:  
 X.X = ± 0.2  
 X.XX = ± 0.01  
 X.XXX = ± 0.005  
 X.XXXX = ± 0.0005  
 ANGLES = ± 2.0°

	SIZE	REV
	A	

PART NUMBER  
 EH4038-17-18\_R  
 Hydraulic Reel, Hannay, EF4038-17-18  
 TR Right

FINISH	MATERIAL		
DO NOT SCALE DRAWING SCALE	DRAWN jang	DATE 8/17/2007	SHEET 1 OF 1